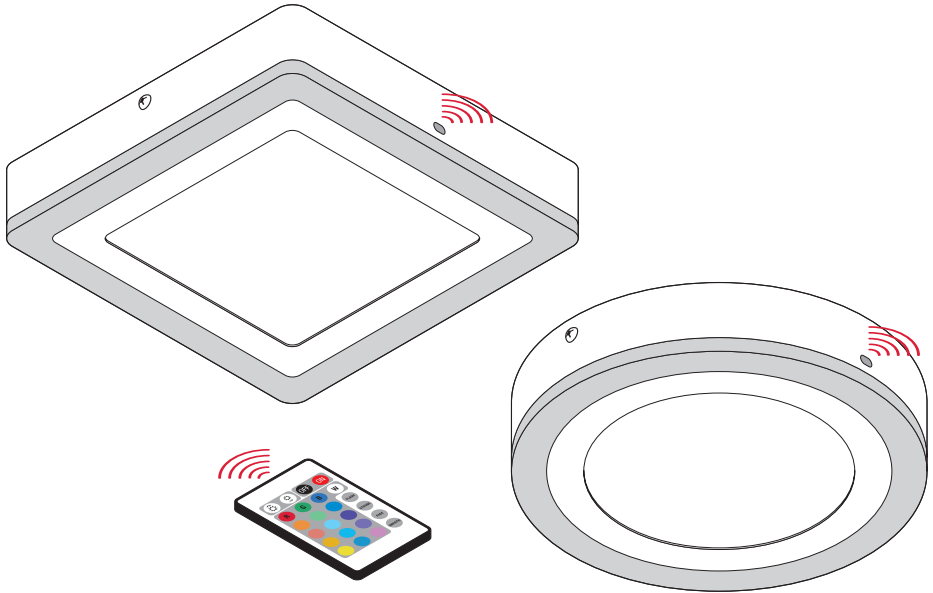
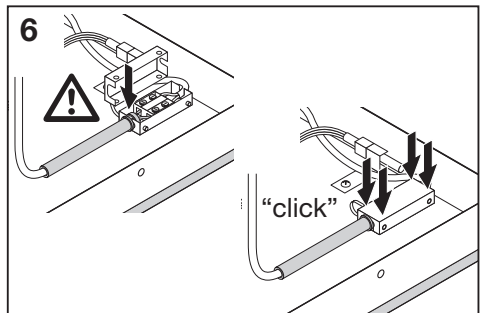
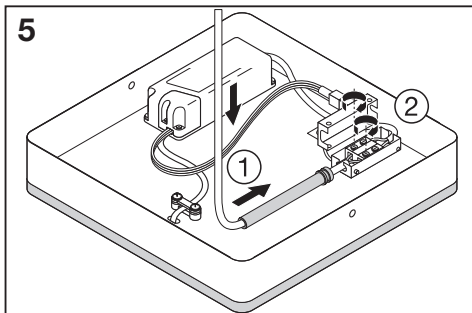
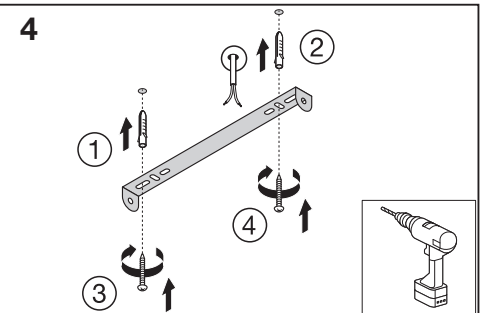
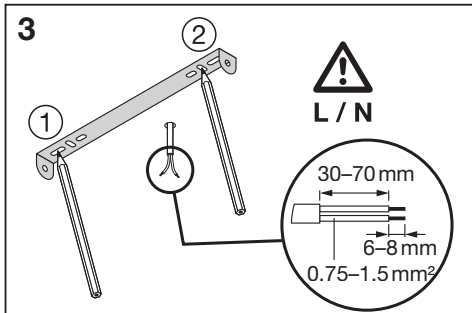
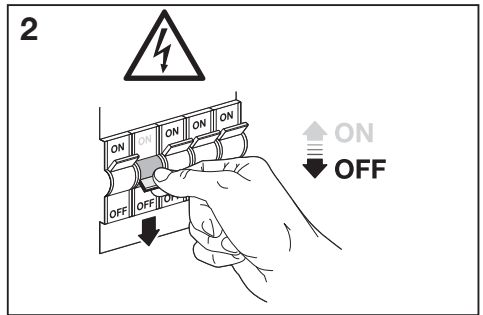
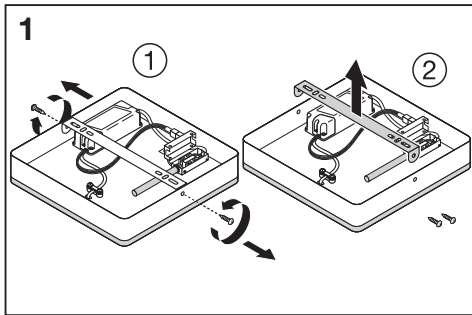
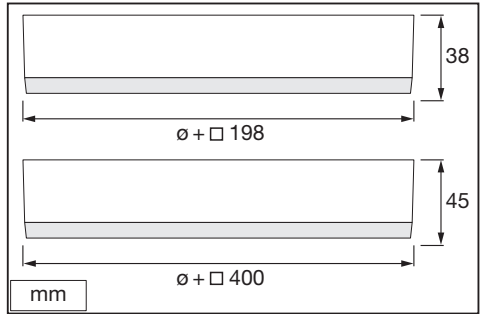
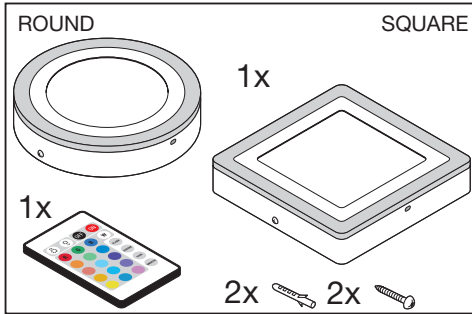
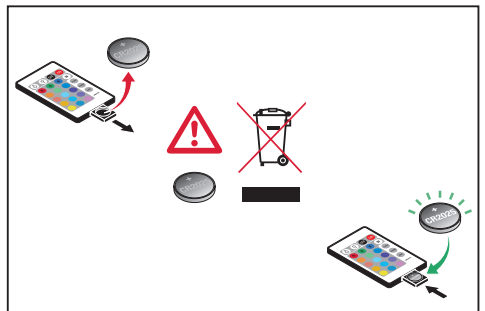
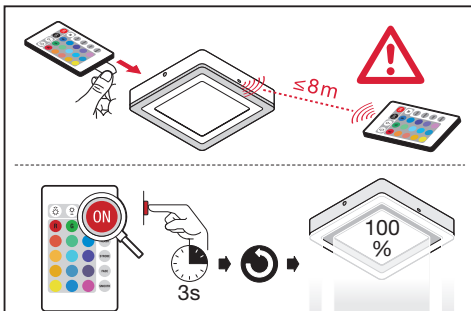
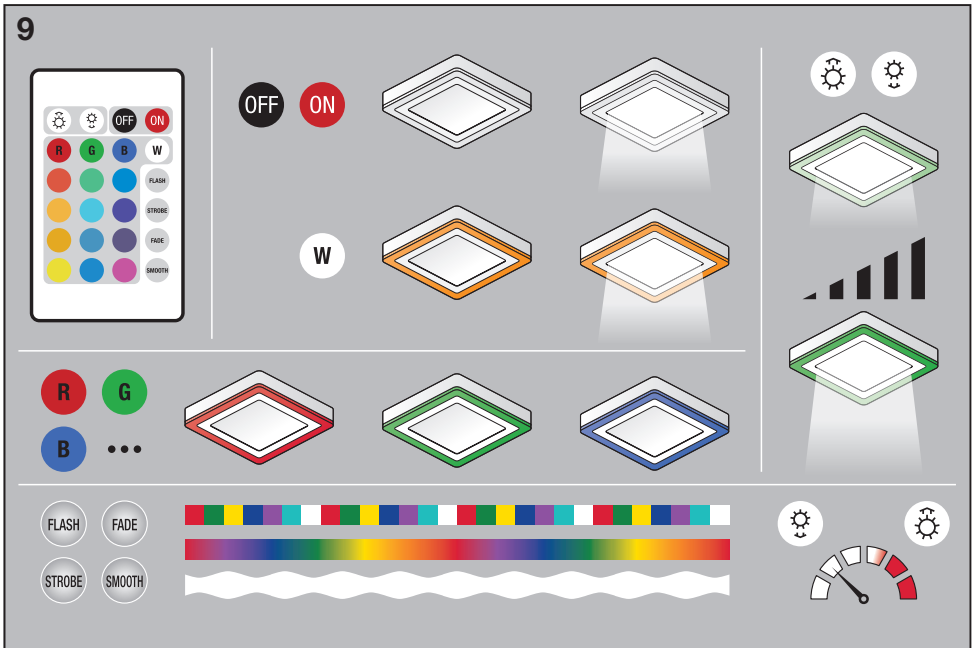
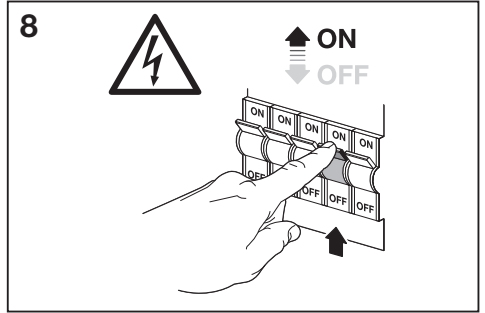
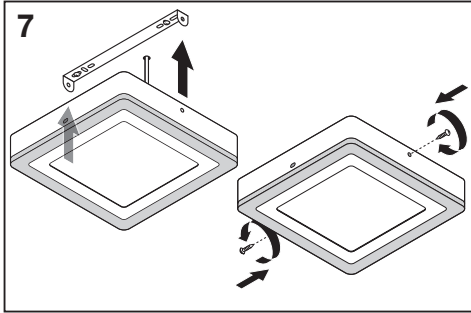





LED COLOR WHITE



	EAN	W	lm	K	°C	V~	mA	Hz	DF	👤
LED COLOR WHITE RD 200MM 18W	4058075227590	18	650	3000	-20...+40	220-240	79	50/60	>0.7	0.6 kg
LED COLOR WHITE SQ 200MM 17W	4058075227576	17	700	3000	-20...+40	220-240	72	50/60	>0.7	0.7 kg
LED COLOR WHITE RD 400MM 28W	4058075265721	28	1550	3000	-20...+40	220-240	123	50/60	>0.7	2.3 kg
LED COLOR WHITE SQ 400MM 30W	4058075265769	30	1600	3000	-20...+40	220-240	133	50/60	>0.7	2.7 kg





	EAN	This product contains a light source of energy efficiency class	Contained Light Source
LED COLOR WHITE RD 200MM 18W	4058075227590	E	
LED COLOR WHITE SQ 200MM 17W	4058075227576	E	
LED COLOR WHITE RD 400MM 28W	4058075265721	E	
LED COLOR WHITE SQ 400MM 30W	4058075265769	E	



C10449057
G11125054
15.07.2021



LEDVANCE GmbH
Steinerne Furt 62
86167 Augsburg, Germany
www.ledvance.com